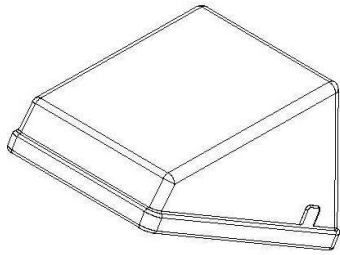
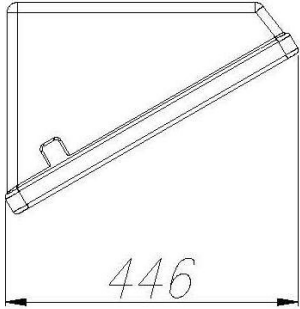


PRODUCT OVERVIEW SUNSHADES SPS-100

PRODUCT	DESCRIPTION
SUNSHADES SPS-100 - DIMENSION 328 mm (W) x 322 mm (H) x 446 mm (D)	
<p>SPS-100</p> 	<p>SUNSHADE TYPE SPS-100</p> <p>This type of sunshades are made with half of instrument protection box, this sunshade is extracted from CPS-100 instrument protection box.</p> <p>The enclosure are made in fiber glass reinforced polyester thickness to 3 mm in standard colour light grey RAL 7035.</p> <p>A small canopy with a bracket that allows it to attach directly onto the body of a transmitter or mounting to the pipe stand or steel construction.</p> <p>Sunshield or commonly called sunshades are different type of instrument protection against:</p> <ul style="list-style-type: none"> • Sun light (overheating) • Dirt accumulation • Exposure to atmospheric conditions • Mechanical damage
	
SUNSHADES SPS-100	
SPS-100-0	Plate with 2" U-bolts
SPS-100-1	Wall Mounting Brackets